

# FABRIMEC

## ENGINEERING CC

INCORPORATING CANAG EQUIPMENT

8/10 Kruger Place  
P.O. Box 60322  
Phoenix 4080  
South Africa  
Tel.: (031) 507 7300  
Fax: (031) 507 8217

---

FOR QUALITY AGRICULTURAL AND INDUSTRIAL EQUIPMENT

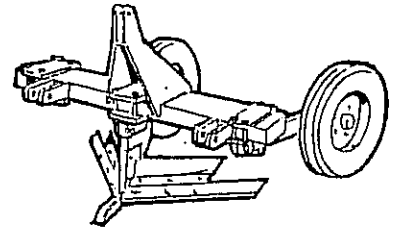
---

### CANAG SUGARCANE EQUIPMENT

#### **SECTION 1: ERADICATION OF OLD CROP**

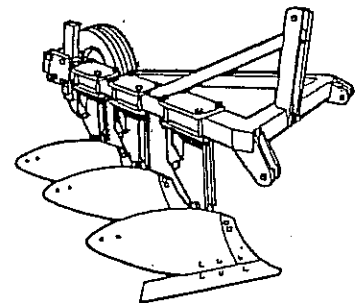
##### **1.1 STOOL PLOUGH**

The CANAG stool plough is designed to shear cane stubble accurately at the desired depth to kill the old stool. This can be followed by a light discing to chop up the residue without inverting. After the residue has dried out, proceed with normal deep tillage to prepare the seedbed. The stool plough is available in 1, 2 and 3 row models.



##### **1.2 MOULDBOARD STOOL PLOUGH**

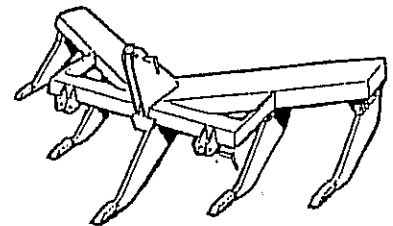
The CANAG mouldboard beam plough is fitted with a depth wheel to accurately set the depth of the special shares to shear the cane stools at the desired depth. This is followed by a light discing to chop up the residue without inverting it. After the residue has dried out, proceed with normal deep tillage to prepare the seedbed. The plough is available in 2, 3 and 4 row models, giving a maximum width of cut of 0,80 metres, 1,20 metres and 1,60 metres respectively.



#### **SECTION 2: PRIMARY TILLAGE**

##### **2.1 CANAG RIPPER**

The CANAG ripper is tractor mounted to fit Category 2 linkage. Tines are set at 700 mm centres operating to a depth of 600 mm. High tensile knock-on tips are fitted with optional blades for extra soil shattering.



##### **2.2 CANAG REVERSIBLE DISC PLOUGH**

The CANAG reversible disc plough is ruggedly designed for the toughest conditions, has few wearing parts and no hydraulics.

Discs are mounted on heavy duty roller bearing hubs which have angular adjustment to suit soil conditions. Width of cut is 750 mm and the implement comes in two and three furrow models.

