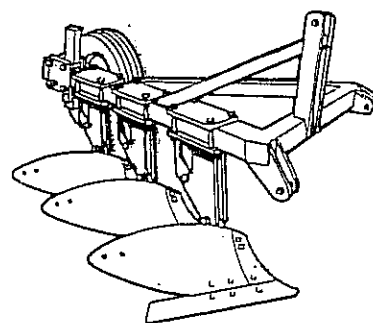


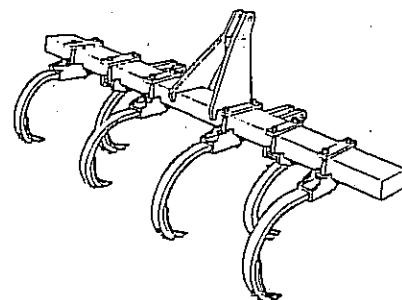
2.3 CANAG MOULDBOARD BEAM PLOUGH

All CANAG mouldboard beam ploughs have an optional depth control wheel which balances the plough perfectly. Width of cut is adjustable from 300 mm to 355 mm per share. Two, three and four row models are available, giving maximum width of cut of ,80 metres, 1,2 metres and 1,6 metres respectively, operating to a depth of 250 mm.



2.4 CANAG SPRING TINE CHISEL PLOUGH

The CANAG spring tine chisel plough consists of a single heavy duty toolbar with front and rear chisel tines offset to allow trash to pass between the tines. 5 tine and 7 tine models are available with widths of 1,5 metres and 2,2 metres respectively. Various points are available.



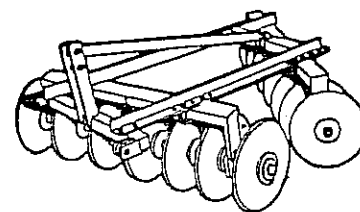
SECTION 3: SECONDARY TILLAGE

3.1 MOUNTED OFFSET DISC HARROWS

The CANAG mounted offset harrow is suitable for all applications to obtain a fine seedbed for planting. The harrows have a working width of 2,4 metres and the angle of the gangs are set to give the best possible finish in all conditions.

The bearings are hard-wearing cast shells which can be quickly replaced without dismantling the disc gangs.

Ballast can be added for primary tillage in fallow fields



SECTION 4: RIDGING, FERTILIZING AND PLANTING

4.1 HEAVY DUTY MOULDBOARD RIDGERS

The heavy duty ridgers have high tensile steel shanks with shear bolt protection on a straight heavy duty toolbar.

Row spacing can be varied from 0,6 to 1,8 metres. Wings can be adjusted to obtain the desired furrow shape. Double, reversible tips are fitted to enable the machine to operate in no-till situations and give the planting furrow a clean, flat base.

