

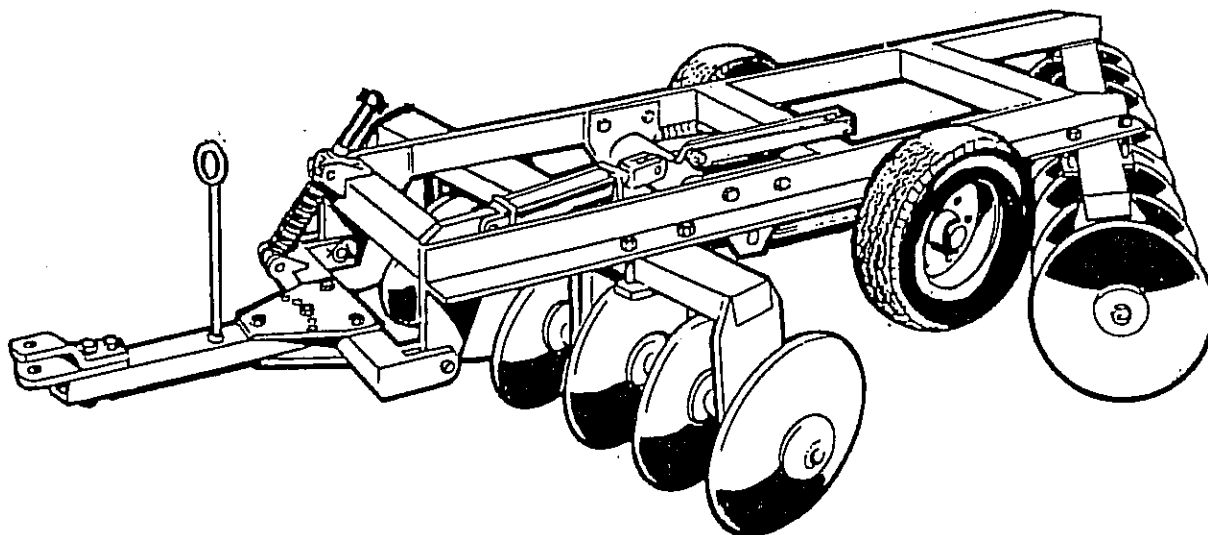
FABRIMEC

ENGINEERING cc

INCORPORATING CANAG EQUIPMENT

8/10 Kruger Place
P.O. Box 60322
Phoenix 4080
South Africa
Tel.: (031) 507 7300
Fax: (031) 507 8217

FOR QUALITY AGRICULTURAL AND INDUSTRIAL EQUIPMENT



CANAG TRAILED HARROWS

CANAG Trailed Harrows are designed for operating behind 50 to 75 kW tractors and are available in two models, the 16/24, which has a cut of 1, 8 metres and the 20/24, which has a cut of 2,2 metres.

Disc gangs are individually adjustable to give angles suitable for fine seedbed preparation or for deep penetration for primary tillage. Both models have hydraulically operated transport wheels which can also be used for depth control in soft conditions.

Model	Cut	No of Discs	Disc Sizes	Mass
16/24	1,8 m	16	610 mm	1470 kg
20/24	2,2 m	20	610 mm	1720 kg