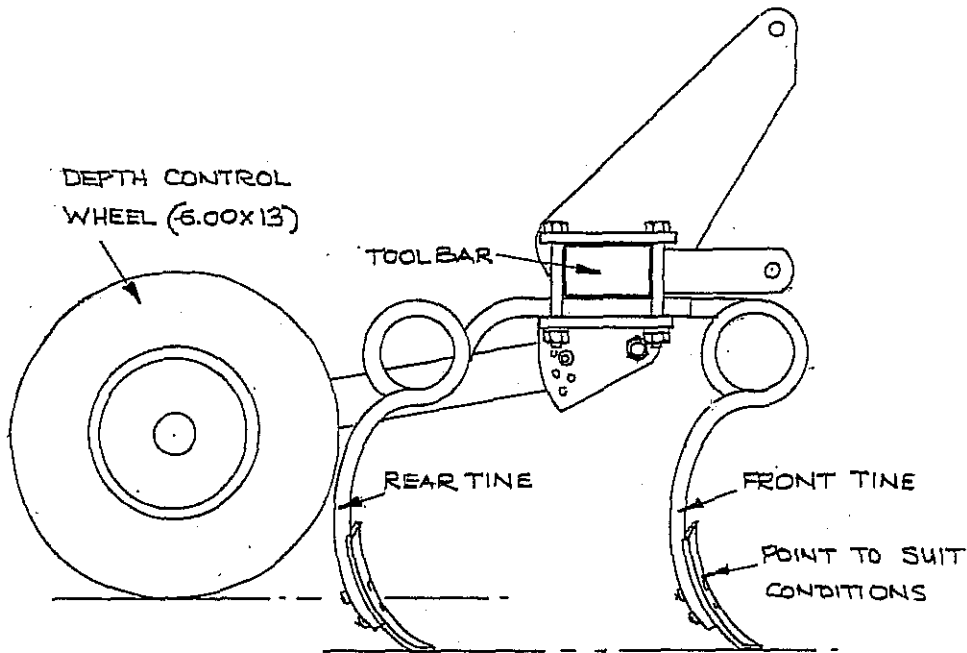


FABRIMEC ENGINEERING CC

INCORPORATING CANAG EQUIPMENT

8/10 Kruger Place
P.O. Box 60322
Phoenix 4080
South Africa
Tel.: (031) 507 7300
Fax: (031) 507 8217

FOR QUALITY AGRICULTURAL AND INDUSTRIAL EQUIPMENT



HEAVY DUTY COIL TINE CULTIVATOR

The CANAG Heavy Duty Coil Tine Cultivator is designed for interrow cultivation of any crop, particularly where heavier soils are encountered and where a higher clearance is required for the toolbar over the crop. Tines can be adjusted to any desired spacing up to 6,0 metres wide.

Generally used with three tines in each interrow for two row cultivation. A wide variety of chisel points and sweeps can be fitted.

